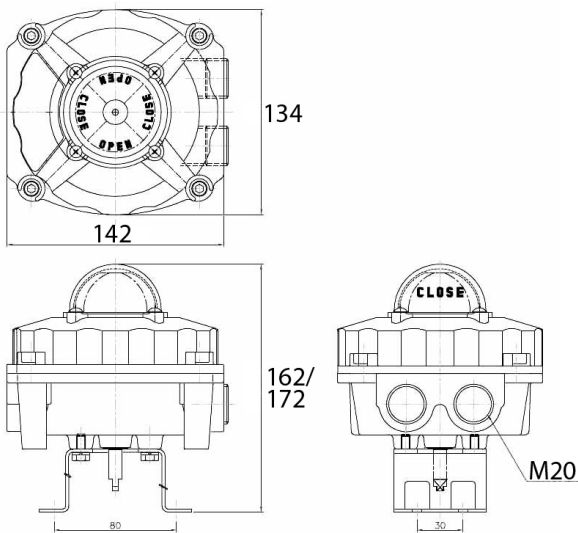


**Limit Switch box Type ITS310, Inductive
Explosion proof**



DIMENSIONS (mm)



SPECIFICATIONS

| | |
|----------------------------|--|
| Enclosure | Explosion proof Ex d IIC T6, IP67, O-ring sealed |
| Material | Aluminum, Polyester coated |
| Ambient temperature | -20°C~+80°C |
| Switch cams | Adjustable, preset for 90° |
| Cable entries | 2xM20x1.5 |
| Terminal block | 8 pos of terminal strips (6 for switches, 2 for solenoid valve power) |
| Position indicator | Dome type 0°~90° |
| Mounting bracket | Stainless steel acc. to VDI/VDE3845, NAMUR |
| Proximity sensors | 2 pcs. type V3, IFM IS 5001, 10-36V DC PNP |