



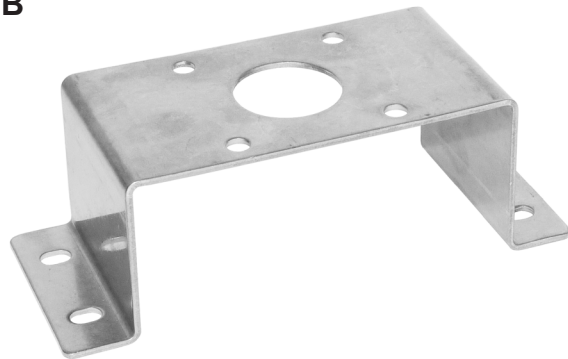
Mounting Kits for Limit Switch boxes Type ITS, NAMUR

- For use between Actuators and Limit Switch boxes.
- VDI/VDE 3845, NAMUR.
- Material Stainless steel AISI 304.
- The Kit includes bolts and washers.

A



B

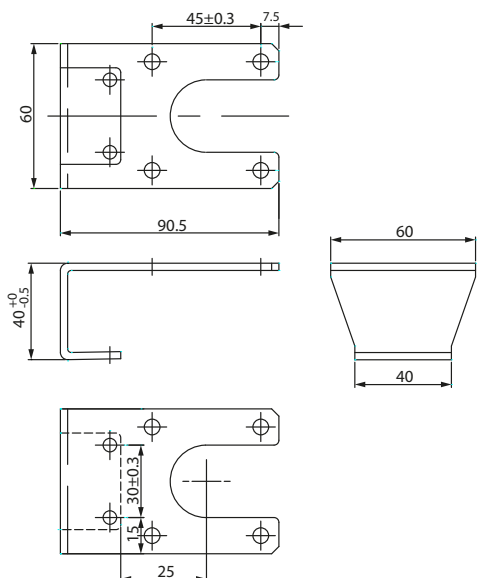


DIMENSIONS

C	Actuator Type and Size		S	Part no	Figure
	E				
2-35	8-20		1-10	13446	A
55	35-150		-	13447	B
250-400	-		-	13448	B*

* Including distance pieces x 4

A



B

