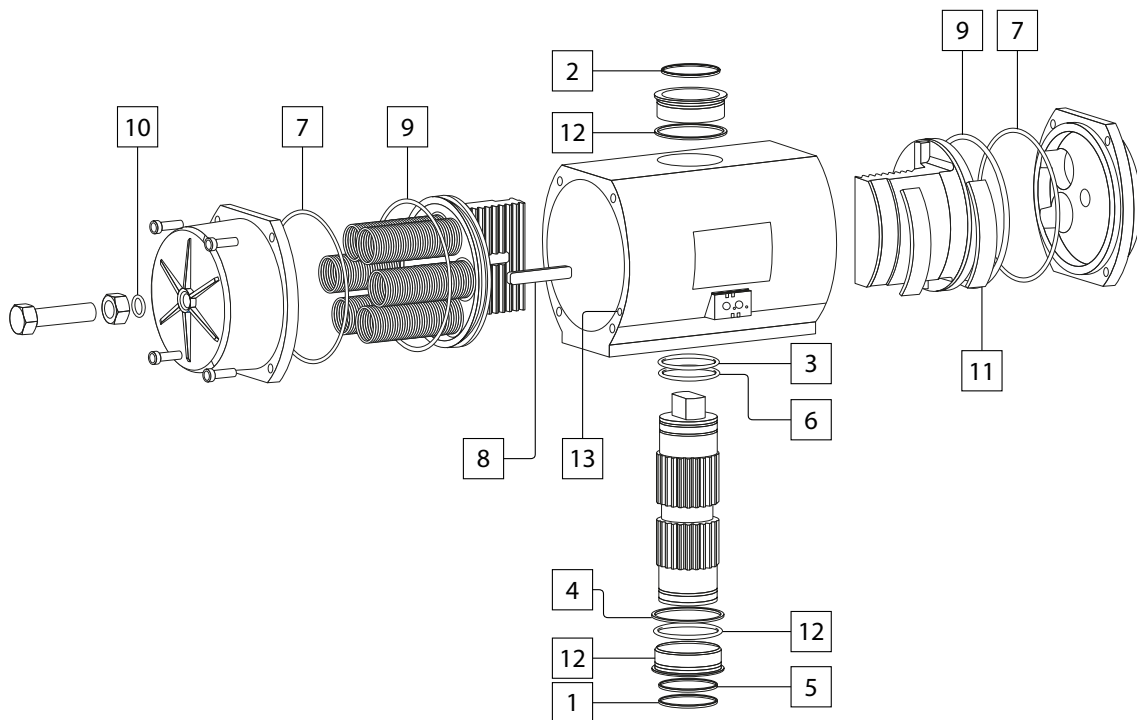




# Standard Repair Kits for Pneumatic Actuator Type C, Size 250

- Temperature range: -20°C to +140°C / -4°F to +284°F
- Material: Nitrile (NBR)
- Grease all the parts properly before assembling. Use the same type of lubricants we recommend.
- Warning: Do not dismantle an Actuator without following our special instructions, DANGER.



| Ref.no. | Description             | Quantity |
|---------|-------------------------|----------|
| 1       | Circlip Lower           | 1        |
| 2       | Circlip Upper           | 1        |
| 3       | Washer Upper            | 1        |
| 4       | Driveshaft Lower O-ring | 1        |
| 5       | Driveshaft Lower Washer | 1        |
| 6       | Driveshaft Upper O-ring | 1        |
| 7       | Endcap O-ring           | 2        |
| 8       | Piston Guidebar         | 2        |
| 9       | Piston O-ring           | 2        |
| 10      | Stop Adjustment O-ring  | 1        |
| 11      | Wear Pads Piston        | 4        |
| 12      | O-ring, backup bearing  | 2        |
| 13      | Ball Bearing            | 2        |

| Actuator size | Part no. |
|---------------|----------|
| 250           | T250RK   |

Maintenance Manual is available on our website or can be requested from our Distributors.

Disassembly/Assembly instructions for Actuators are available at our web page, [www.wirematic.se](http://www.wirematic.se)