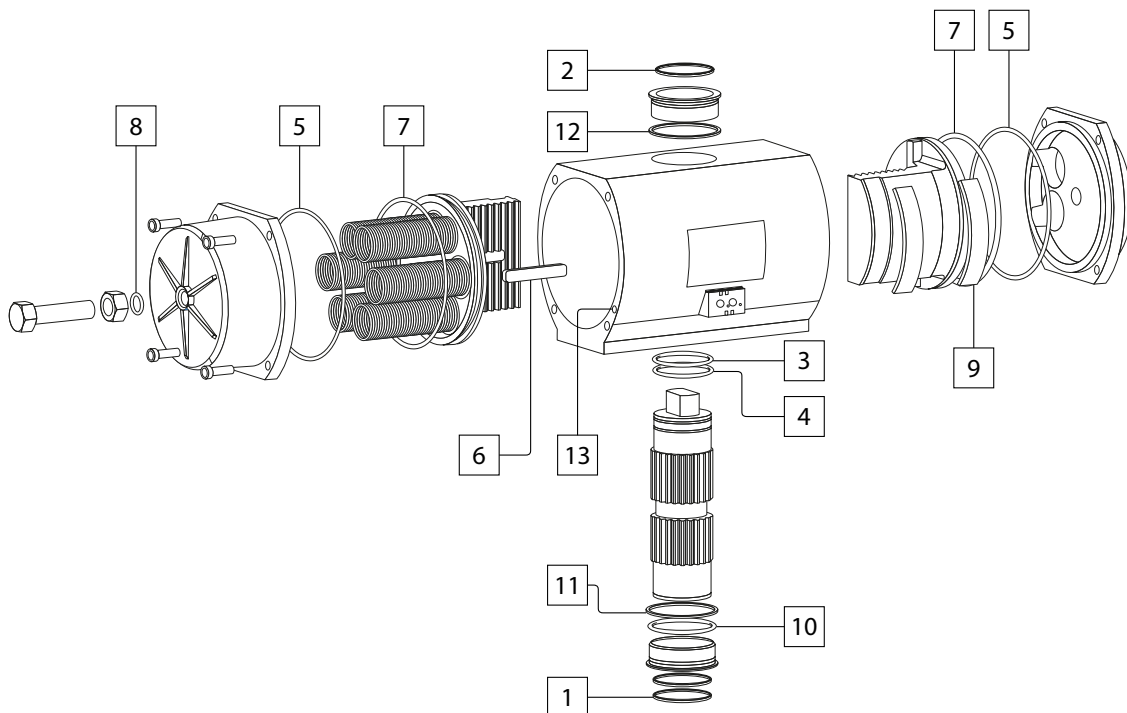




# Standard Repair Kits for Pneumatic Actuator Type C, Size 400

- Temperature range: -20°C to +140°C / -4°F to +284°F
- Material: Nitrile (NBR)
- Grease all the parts properly before assembling. Use the same type of lubricants we recommend.
- Warning: Do not dismantle an Actuator without following our special instructions, DANGER.



Ref.no.	Description	Quantity
1	Circlip Lower	1
2	Circlip Upper	1
3	Washer Upper	1
4	Driveshaft Upper O-ring	1
5	Endcap O-ring	2
6	Piston Guidebar	2
7	Piston O-ring	2
8	Stop Adjustment O-ring	1
9	Wear Pads Piston	4
10	O-ring, Backup Bearing Lower	1
11	O-ring, Backup Bearing Lower	1
12	O-ring, Backup Bearing Upper	1
13	Ball Bearing	2

Actuator size	Part no.
400	T400RK

Maintenance Manual is available on our website or can be requested from our Distributors.

Disassembly/Assembly instructions for Actuators are available at our web page, [www.wirematic.se](http://www.wirematic.se)