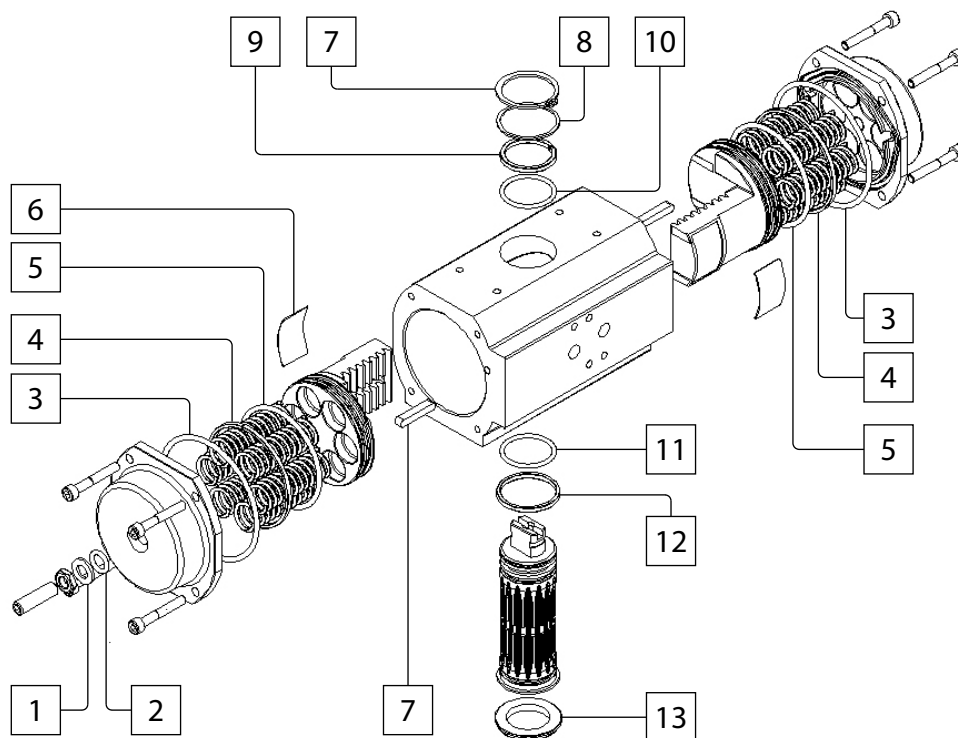




Standard Repair Kits for Pneumatic Actuator Type S, Size 3, 5 and 10

- Temperature range: -20°C to +140°C / -4°F to +284°F
- Material: Nitrile (NBR)
- Grease all the parts properly before assembling. Use the same type of lubricants we recommend.
- Warning: Do not dismantle an Actuator without following our special instructions, DANGER.



Ref.no.	Description	Quantity
1	Stop Adjustment Washer	1
2	Stop Adjustment O-ring	1
3	Endcover O-ring	2
4	Piston Back-up Bearing	2
5	Piston O-ring	2
6	Piston Wearpad	2
8	Driveshaft Washer	1
9	Driveshaft Circlip	1
10	Driveshaft Upper O-ring	1
11	Driveshaft Upper Bearing	1
12	Driveshaft Lower O-ring	1
13	Driveshaft Lower Bearing	1
14	Centralization Ring	1

Actuator size	Part no.
3	TS003RK
5	TS005RK
10	TS010RK

Disassembly/Assembly instructions for Actuators are available at our web page, www.wirematic.se