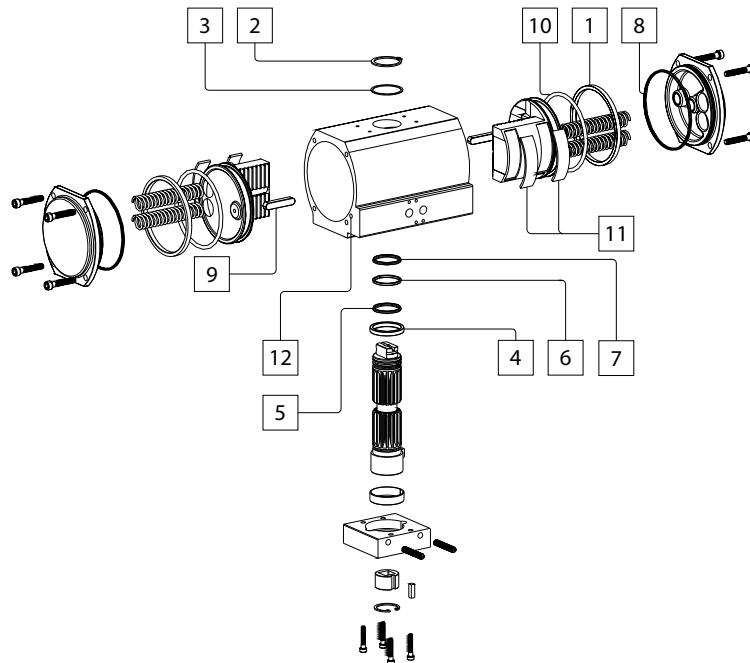




Standard Repair Kits for Pneumatic Actuator Type E, Size 8, 12, 20, 35, 55, 70, 100 and 150

- The kit contains parts for all types of the same size. Therefore it may be some parts included in the kit that is not needed.
- Temperature range: -20°C to +140°C / -4°F to +284°F
- Material: Nitrile (NBR)
- Grease all the parts properly before assembling. Use the same type of lubricants we recommend.
- Warning: Do not dismount an Actuator without following our special instructions, DANGER.



Ref.no.	Description	Quantity
1	Backup Bearing Piston	2
2	Circlip Upper	1
3	Washer Upper	1
4	Driveshaft Lower Bearing	1
5	Driveshaft Lower O-ring	1
6	Driveshaft Upper Bearing	1
7	Driveshaft Upper O-ring	1
8	Endcap O-ring	2
9	Piston Guidebar	2
10	Piston O-ring	2
11	Wear Pads Piston	4
12	Ball Bearing	2

Actuator size	Part no.
8	T008RK
12	T012RK
20	T020RK
35	T035RK
55	T055RK
70	T070RK
100	T100RK
150	T150RK

The Repair Kits contains components for both types of Actuators, Type 1 and Type 2; see specific marking at the plastic bags in the Kit. This means that some parts will not be needed, depending on the type of actuator that is going to be repaired.

Maintenance Manual is available on our website or can be requested from our Distributors.

Disassembly/Assembly instructions for Actuators are available at our web page, www.wirematic.se